



**Maximum  
Performance  
Assured**  
after testing in our  
European Lab\*

## Screening Solutions For Wood And Wood Related Industries

Large stroke combined with exclusively horizontal high-speed, gyratory motion delivers an aggressive G-Load.

Exclusively horizontal motion results in fewer pins (long thin material) in the fines fraction.

BM&M's sealed eccentric weight drive is engineered in the centre-of-mass of the machine causing the motion to be completely balanced allowing the machine to run at higher RPMs and lower dynamic forces.

\* Based upon customer material testing at our lab testing facilities in Europe – we test your material and create a performance objective tailored to your specific applications.

### ROTEX GROUP SCREENING RANGE FOR THE WOOD INDUSTRY



CS MODEL



COUNTERFLOW CS MODEL



SUPER SCREEN

## WOOD AND WOOD RELATED INDUSTRIES



### Sawmilling Industry

- Wide range of models 2.2-24m<sup>2</sup>
- Counterflow solution for small footprint
- Direct access to all decks
- Maintenance free drive bearing



### Wood Based Panel Industry

- Aggressive G-Load reduces blinding on top deck for wood or veneer chips
- Ball decks for fines screening and boiler fuel applications
- ATEX certified solutions for combustible dust and fines applications



### Pulp And Paper Industry

- Guaranteed efficiency and customised stroke and slope by material testing in Europe
- Heavy-duty large-scale design up to 24m<sup>2</sup> per deck
- For fines screening (6.5mm wire mesh opening and smaller) ball decks are available to eliminate blinding



### Special Wood Related Products

- Fines removal and de-dusting of animal bedding
- Silica removal for recycled wood chips
- Separate sticky, fine material from bark, pin chips, mulch and or compost without blinding

## DESIGN AND MATERIALS

- Welded steel construction for drive/screen assembly
- Bolted structural steel support stand (floor-mounted as standard)
- Custom length hangers available for supporting the machine from the overhead existing structure
- Fines pan cleaning ports or open bottom construction available
- Infeed landing deck with optional bolted stainless steel or Hardox™ liners
- Mild steel materials, fully stress relieved
- Screen access door for screen element changes
- Separate discharge chutes for each screen
- Optional fully enclosed construction depending on application

## FEATURES AND DETAILS



### CS Screen Tensioning Device

Device will uniformly tension the screen creating a taut surface for higher separation efficiency.



### Ball Decks To Reduce Blinding

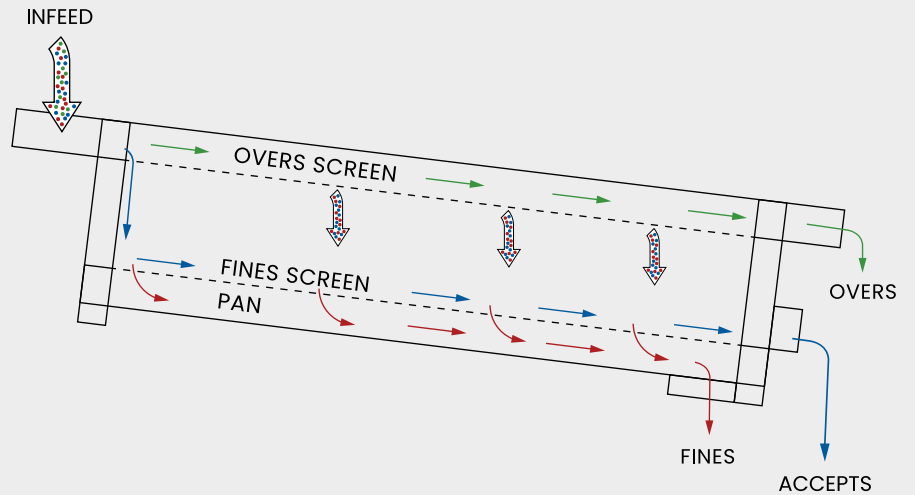
The high bouncing force of the balls installed underneath the woven wire mesh will prevent blinding for virtually any application.



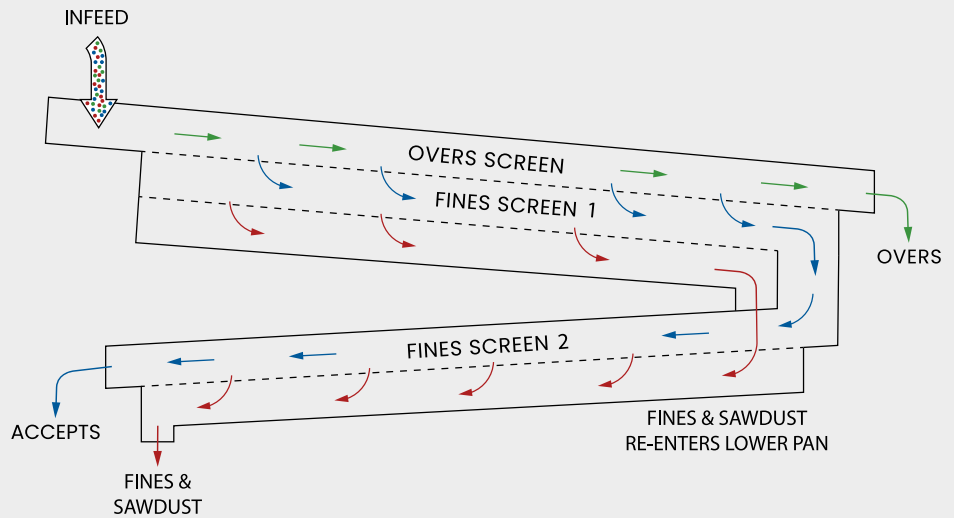
### Custom Discharge Chute Configurations

Custom discharge chutes designed for your application or plant configuration.

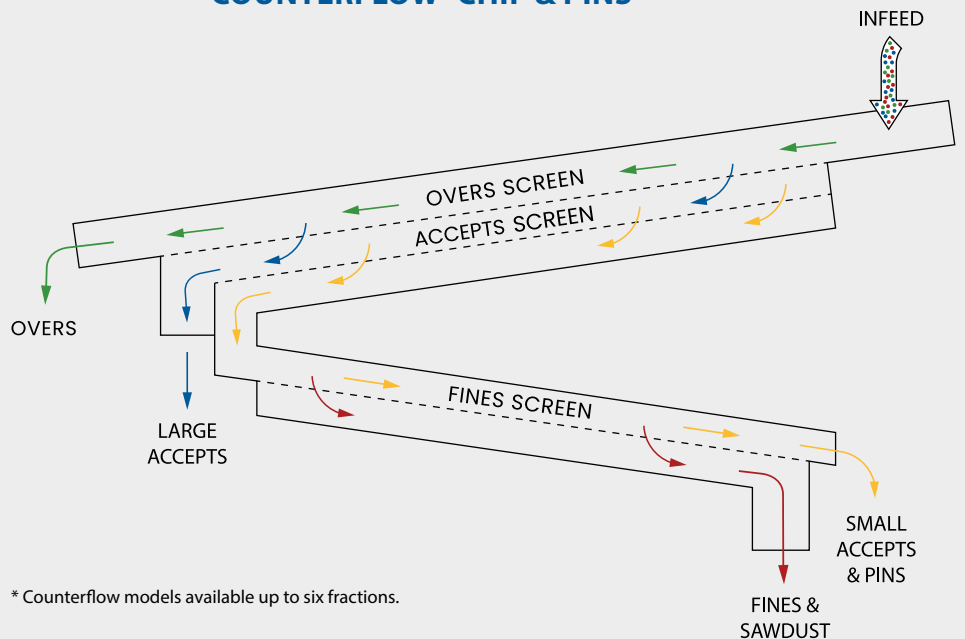
### STANDARD CHIP SCREEN



### COUNTERFLOW "TWIN FINES"\*



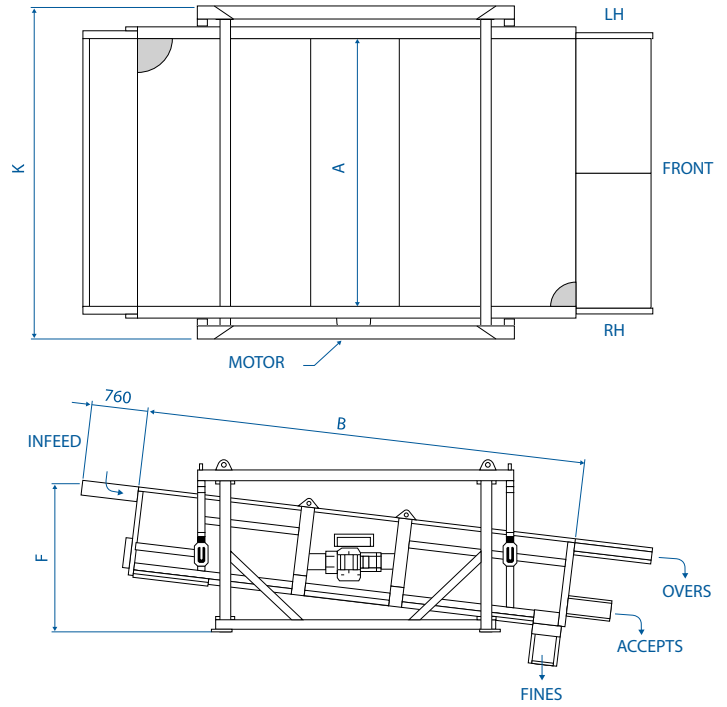
### COUNTERFLOW "CHIP & PINS"\*



\* Counterflow models available up to six fractions.

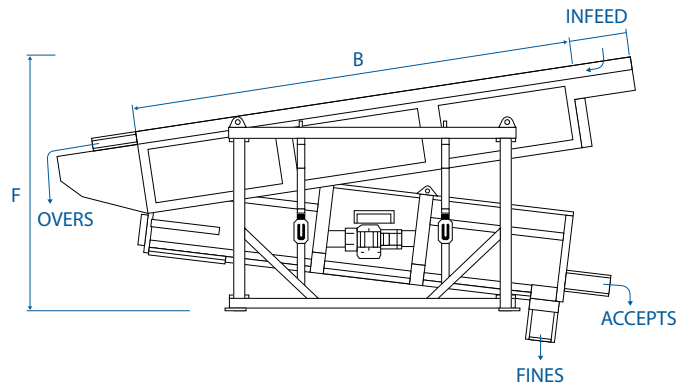
# SIZING AND SPECIFICATION

Chip Screen					
Model [AxB]	Area [m <sup>2</sup> ]	Power [KW]	Weight [kg]	F [mm]	K [mm]
3 x 8	2.25	3.7	1590	1500	1630
3 x 10	2.80	3.7	1680	1550	1630
4 x 8	3.00	3.7	1815	1500	1930
4 x 10	3.75	3.7	1905	1550	1930
4 x 12	4.50	3.7	2090	1570	1930
5 x 10	4.65	3.7	2360	1630	2340
5 x 12	5.60	3.7	2680	1700	2340
6 x 10	5.60	3.7	2810	1630	2640
6 x 12	6.70	3.7	2995	1700	2640
6 x 14	7.80	3.7	3130	1780	2640
6 x 16	8.95	5.5	3310	1850	2640
7 x 10	6.50	3.7	3040	1630	2950
7 x 12	7.80	5.5	3130	1700	2950
7 x 14	9.10	5.5	3450	1780	2950
7 x 16	10.40	5.5	3585	1850	2950
8 x 10	7.45	5.5	3175	1630	3250
8 x 12	8.95	5.5	3400	1800	3250
8 x 14	10.40	5.5	3630	1850	3250
8 x 16	11.90	7.5	3765	1960	3250
8 x 18	13.40	7.5	3945	2010	3250
8 x 20	14.85	7.5	4175	2060	3250
10 x 12	11.15	7.5	4130	1880	2960
10 x 14	13.00	7.5	4310	2010	3960
10 x 16	14.85	7.5	4490	2060	3960
10 x 18	16.75	11	4810	2130	3960
10 x 20	18.60	11	5035	2160	3960
12 x 20	22.30	11	5990	2160	4570
13 x 20	24.15	11	6350	2160	4880
13 x 20 JB	24.15	15	6985	2460	4880

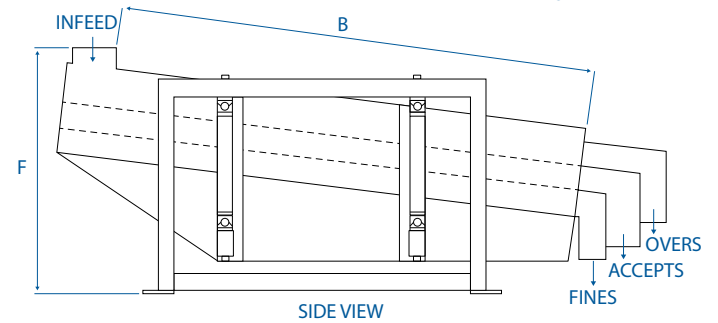


**Up to 700m<sup>3</sup>/h on the largest machine**  
*(for log chipping applications low fines amount)*

Counterflow Chip Screen					
Model [AxB]	Area [m <sup>2</sup> ]	Power [KW]	Weight [kg]	F [mm]	K [mm]
5 x 14	6.5/13.0	5.5	4900	2417	2417
6 x 14	7.8/15.6	5.5	5400	2417	2417
7 x 14	9.1/18.2	7.5	5850	2417	2417
8 x 14	10.4/20.8	7.5	6300	2417	2417
9 x 14	11.7/23.4	7.5	6750	2417	2417
10 x 14	13.0/26.0	7.5	7200	2417	2417



Super Screen					
Model [AxB]	Area [m <sup>2</sup> ]	Power [KW]	Weight [kg]	F [mm]	K [mm]
2 x 6	1.10	1.5	900	1100	1210
3 x 6	1.70	1.5	1130	1130	1520
3 x 8	2.25	3.7	1440	1150	1520
4 x 8	3.00	3.7	1920	1200	2030
4 x 10	3.75	3.7	2400	1250	2030
4 x 12	4.50	3.7	2880	1300	2030
5 x 10	4.65	3.7	3080	1380	2260
5 x 12	5.60	3.7	3600	1500	2260
6 x 10	5.60	3.7	3750	1430	2640
6 x 12	6.70	3.7	4350	1550	2640



Figures shown are estimates - final figures and weights are determined after detailed engineering for each machine.

**In total 96 chip screens and counterflow models are available. Find more at: [therotexgroup.com](http://therotexgroup.com)**



To find your local Rotex Group representative visit our website

[therotexgroup.com](http://therotexgroup.com)